

BALDOR® • RELIANCE 

Product Information Packet

CECP84308T-4

40HP, 1190RPM, 3PH, 60HZ, 364TC, TEFC, F1

Part Detail							
Revision:	B	Status:	PRD/A	Change #:		Proprietary:	No
Type:	AC	Elec. Spec:	A36WG0043	CD Diagram:	416820-036	Mfg Plant:	
Mech. Spec:		Layout:	617428-620	Poles:	06	Created Date:	01-03-2019
Base:		Eff. Date:	04-24-2020	Leads:	3#4		

Specs			
Catalog Number:	CECP84308T-4	Heater Indicator:	No Heater
Enclosure:	TEFC	Insulation Class:	F
Frame:	364TC	Inverter Code:	Inverter Ready
Frame Material:	Iron	IP Rating:	IP56
Output @ Frequency:	40.000 HP @ 60 HZ	KVA Code:	G
Synchronous Speed @ Frequency:	1200 RPM @ 60 HZ	Lifting Lugs:	Standard Lifting Lugs
Voltage @ Frequency:	460.0 V @ 60 HZ	Motor Lead Quantity/Wire Size:	3 @ 4 AWG
XP Class and Group:	CLI GP A,B,C,D	Motor Type:	A36062M
XP Division:	Division II	Mounting Arrangement:	F1
Agency Approvals:	CCSA US	Power Factor:	80
	UR	Product Family:	General Industrial
Auxillary Box:	No Auxillary Box	Pulley End Bearing Type:	Ball
Base Indicator:	Rigid	Pulley Face Code:	C-Face
Bearing Grease Type:	Polyrex EM (-20F +300F)	Shaft Ground Indicator:	No Shaft Grounding
Constant Torque Speed Range:	6-60	Shaft Rotation:	Reversible
Current @ Voltage:	49.400 A @ 460.0 V	Shaft Slinger Indicator:	No Slinger
Design Code:	B	Speed Code:	Single Speed
Drip Cover:	No Drip Cover	Motor Standards:	NEMA

Duty Rating:	CONT	Starting Method:	Direct on line
Enclosure Modification:	841	Thermal Device - Bearing:	None
Feedback Device:	NO FEEDBACK	Thermal Device - Winding:	None
		XP Temp Code:	T3A

Nameplate NP2496L

MOBIL POLYREX EM

Nameplate 000613007EX

CAT NO	CECP84308T-4	SPEC NO.	A36-6200-0043
NO. ROTOR BARS	55	GREASE TYPE	POLYREX EM
NO. SLOTS	72	NL AMPS AT RATED VOLTAGE	17.7
5 YEAR WARRANTY		WINDING RES @25 C	.14932
MFG. DATE		SER.NO	
			OHMS

Nameplate NP3237									
CAT NO	CECP84308T-4	SPEC NO.	A36-6200-0043						
HP	40	AMPS	49.4	VOLTS	460				
FRAME SIZE	364TC	RPM	1190	HZ	60	AMB	40	SF	1.15
D.E. BRG.DATA	6313	O.D.E. BRG.DATA	6313	PH	3				
D.E. BRG.	65BC03J30X	TYPE	P	ENCL	TEFC	CODE	G		
O.D.E. BRG.	65BC03J30X	POWER FACTOR	80						
3/4 LOAD EFF.	94.3	IP	56	MAX CORR KVAR	12				
TEMP CODE	T3A	TEMP =	180						
CHP HZ	60-90	CT HZ	6-60		VT HZ	0-60			
INVERTER-TEMP-CODE	T3A								
SER.NO.		MOTOR WEIGHT							
		DESIGN	B						
		DUTY	CONT						
		INSUL.CLASS	F						
		NEMA-NOM-EFFICIENCY	94.1						
		GUARANTEED EFFICIENCY	93						

Parts List		
Part Number	Description	Quantity
SA364600	SA A36-6200-0043	1.000 EA
RA353934	RA A36-6200-0043	1.000 EA
421948051	LABEL, MYLAR	1.000 EA
NP2496L	MOTOR LUBE NAMEPLATE	1.000 EA
000613006PU	N/P (RELEASE QTY 10,000) UL CSA LABEL	1.000 EA
000613007EX	SS IEEE 841 EMBOSSED AUXILIARY NAMEPLATE	1.000 EA
NP3237	SS SUPER E INVERTER DUTY IEEE 841	1.000 EA
000692000JP	N/P	1.000 EA
000692000VH	N/P (RELEASE 1000 PCS)	1.000 EA
000613000FX	ROTATION NAMEPLATE, STAINLESS STEEL	1.000 EA
000692000VD	LABEL WARNING	1.000 EA
085922083BH	BRKT 360 085922072WCC KB	1.000 EA
415072001B	CLAMP	1.000 EA
078559034A	+F/C A 078559001A - 360	1.000 EA
034180012DA	KEY 1X4X1/4X1-1/2 L	1.000 EA
412118006A	DRAIN	1.000 EA
078550001M	FAN KB 60/30 (30) 360	1.000 EA
004824015A	GREASE POLYREX EM	0.540 LB
032018012DK	HHCS 1/2-13X1-1/2 PLTD.	4.000 EA
032018008AK	HHCS 1/4-20X1 PLATED	4.000 EA
032018024CK	HHCS 3/8-16X3 PLTD.	3.000 EA
415096002A	CPLG 1/8 HEX TYPE	1.000 EA
410700004F	WSHR	1.000 EA
423709011C	WASHER	3.000 EA

Parts List (continued)		
Part Number	Description	Quantity
034530052AB	P/NIP 1/8X6-1/2 GALV.	1.000 EA
406178000BC	GRFTG 250-440	1.000 EA
034530032BB	P/NIP 1/4X4" SCHED 40	1.000 EA
034630002AB	CPLG 1/4" PLATED	1.000 EA
415028008E	INPRO SEAL - 360	1.000 EA
085922070HA	E360 C FACE BRKT 6313 TEFC-4.64"-INPRO	1.000 EA
032018012DK	HHCS 1/2-13X1-1/2 PLTD.	4.000 EA
032018024CK	HHCS 3/8-16X3 PLTD.	3.000 EA
412118006A	DRAIN	1.000 EA
423709011C	WASHER	3.000 EA
406178000BC	GRFTG 250-440	1.000 EA
415028008E	INPRO SEAL - 360	1.000 EA
076708000BB	CONDUIT BOX-360	1.000 EA
415039016A	TERBD, 360-400	1.000 EA
076709000A	C/B Cover - 360	1.000 EA
067053000B	GASK 320-400	1.000 EA
418150003A	GREASE FITTING CAP	1.000 EA
032018010CK	HHCS 3/8-16X1-1/4 PLTD. 032018010CR	4.000 EA
035000001A	ALFTG 1/8" 1610-BL	1.000 EA
415000103H	T/LUG #2AWG-4/0AWG	1.000 EA
033512008LB	HHTTS 1/4-20X1 PLATED	4.000 EA
406099000A	PLUG - FAN COVER 320-440	1.000 EA
034000014AB	WSH ID.406 OD.812 TH.065	4.000 EA
035000001A	ALFTG 1/8" 1610-BL	1.000 EA

Product Information Packet: CECP84308T-4 - 40HP,1190RPM,3PH,60HZ,364TC,TEFC,F1

418150003A	GREASE FITTING CAP	1.000 EA
MG1025N19	WILKO 778.50 BLUE GREEN - 55 GAL DRUMS	0.250 GA
033775004EA	DRSCR #6-1/4 304 S.S.	4.000 EA
034180034HA	KEY 5/8X5/8X4-1/4 L	1.000 EA
HW1000A32	5/16 FL WASHER WIDE, ID=.344, OD=1.125	3.000 EA
032509020C	CARRIAGE BOLT - 360	3.000 EA
LB1449	DIV-2/NEC WARNING LABEL	1.000 EA
14PA1000	PACKAGING 314 GROUP COMBINED PRINT	1.000 EA
032018005DL	1/2-13 X 5/8 SILICON BRONZE HHCS	1.000 EA

S/O	FRAME	HP	TYPE	PHASE/ HERTZ	RPM	VOLTS
	364T	40	P	3/60	1190	460
AMPS	DUTY	AMB %C/ INSUL	S.F.	NEMA DESIGN	CODE LETTER	ENCLOSURE
49.4	CONT	40/F	1.15	B	G	TEFC
E/S	ROTOR	TEST S.O.	TEST DATE	STATOR RES. @25 °C OHMS (BETWEEN LINES)		
491377	418141-74EE	---	---	.152		

PERFORMANCE


LOAD	HP	AMPERES	RPM	% POWER FACTOR	% EFFICIENCY
NO LOAD	0	17.7	1200	5.41	0
1/4	10.0	21.6	1197	48.3	90.0
2/4	20.0	29.0	1194	69.0	93.6
3/4	30.0	38.6	1191	77.2	94.3
4/4	40.0	49.4	1188	80.5	94.2
5/4	50.0	61.0	1184	81.9	93.7

SPEED TORQUE

	RPM	% TORQUE FULL LOAD	TORQUE LB.-FT.	AMPERES
LOCKED ROTOR	0	158	280	290
PULL UP	480	136	241	270
BREAKDOWN	1135	243	430	167
FULL LOAD	1188	100	177	49.4

AMPERES SHOWN FOR 460 VOLT CONNECTION. IF OTHER CONNECTIONS ARE AVAILABLE, THE AMPERES WILL VARY INVERSELY WITH THE RATED VOLTAGE.

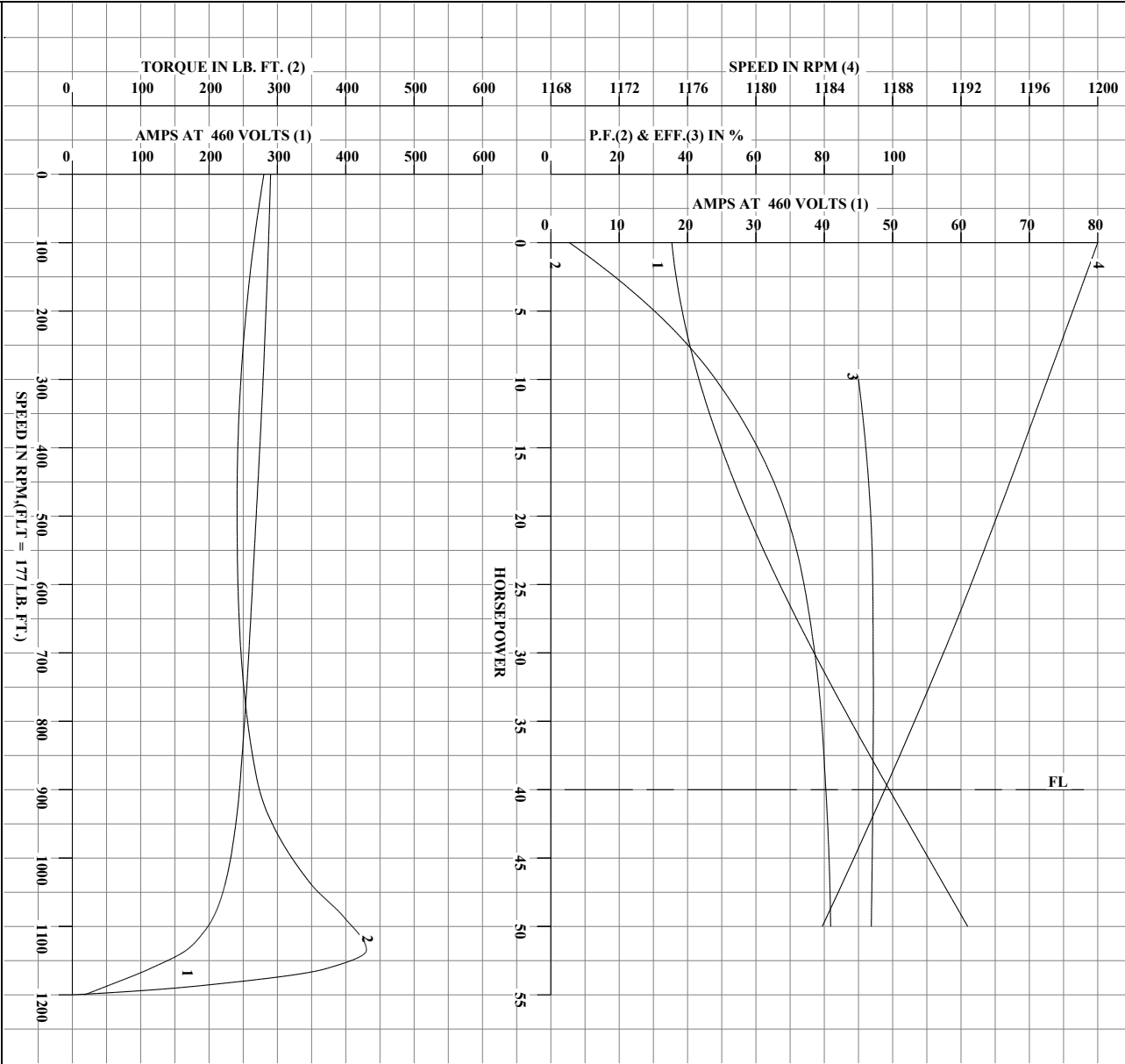
TYPICAL DATA

	DRAWN BY: W.L. SMITH	AC MOTOR PERFORMANCE DATA	A36WG0043-R001
	CHECKED BY: J.HARRISON APPROVED BY: W.L. SMITH DATE: 12/07/05		

USERCHR1

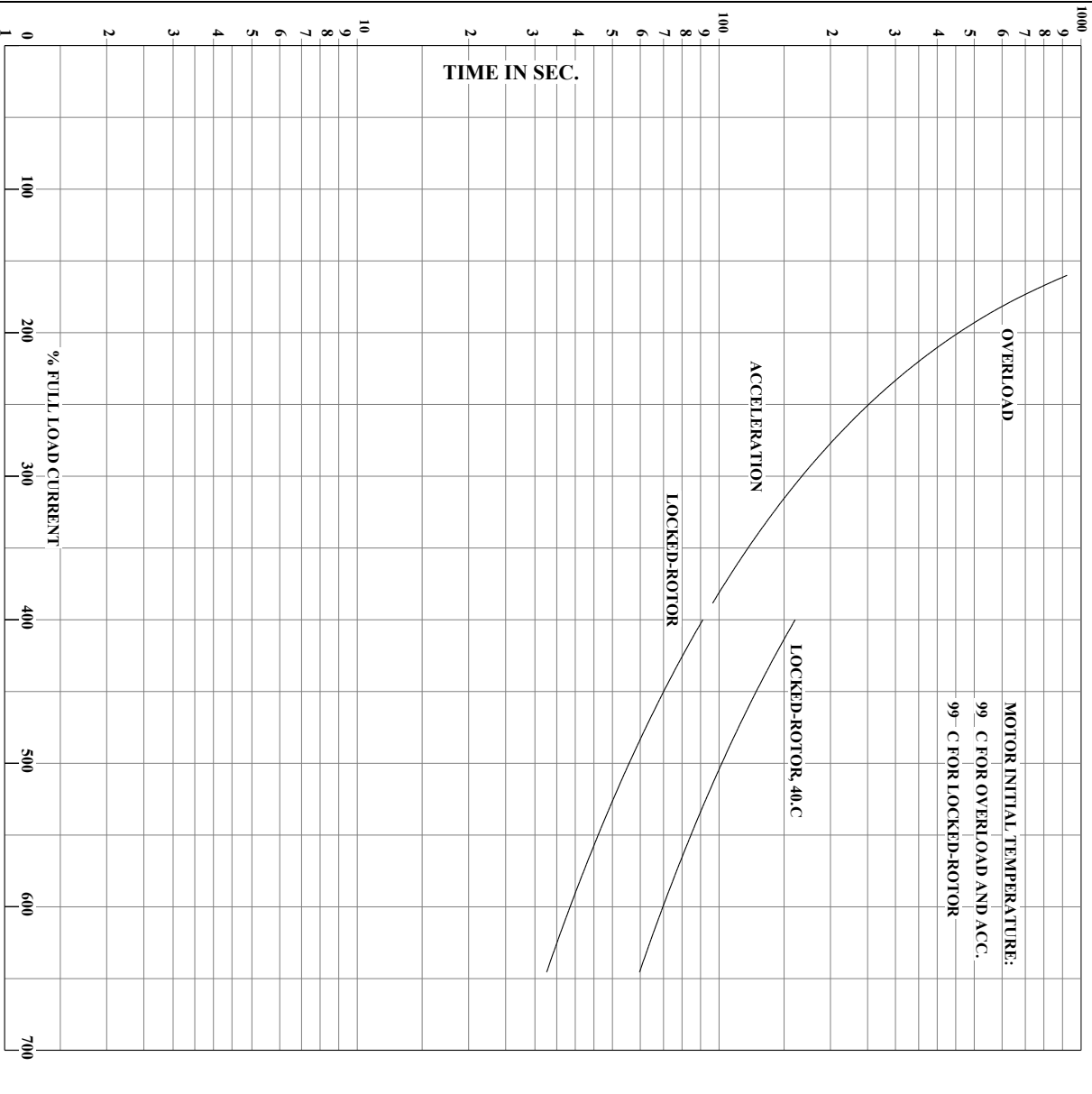
Printed on 03/29/2018 9:00 AM

REL.S.O.	FRAME 364T	RPM 1190	S.F. 1.15	ROTOR 418141-74EE
HP 40	VOLTS 460	AMPS 49.4	NEMA DESIGN B	TEST S.O. TYPICAL DATA
TYPE P	DUTY CONT	AMB °C/INSUL 40/F	CODE LETTER G	TEST DATE --
PHASE/HERTZ 3/60			ENCLOSURE TEFC	STATOR RES. @ 25°C .152
			E/S 491377	OHMS (BETWEEN LINES)



	DRAWN BY: W.L. SMITH CHECKED BY: J.HARRISON APPROVED BY: W.L. SMITH DATE: 12/07/05	AC MOTOR PERFORMANCE DATA	A36WG0043-R001 ISSUE DATE 12/15/10
	USERCHR1		

REL.S.O.	RPM 1190	S.F. 1.15	ROTOR 418141-74FE
FRAME 364T	VOLTS 460	NEMA DESIGN B	TEST S.O. TYPICAL DATA
HP 40	AMPS 49.4	CODE LETTER G	TEST DATE --
TYPE P	DUTY CONT	ENCLOSURE TEFC	STATOR RES. @ 25°C .152
PHASE/HERTZ 3/60	AMB °C/INSUL 40/F	E/S 491377	OHMS (BETWEEN LINES)

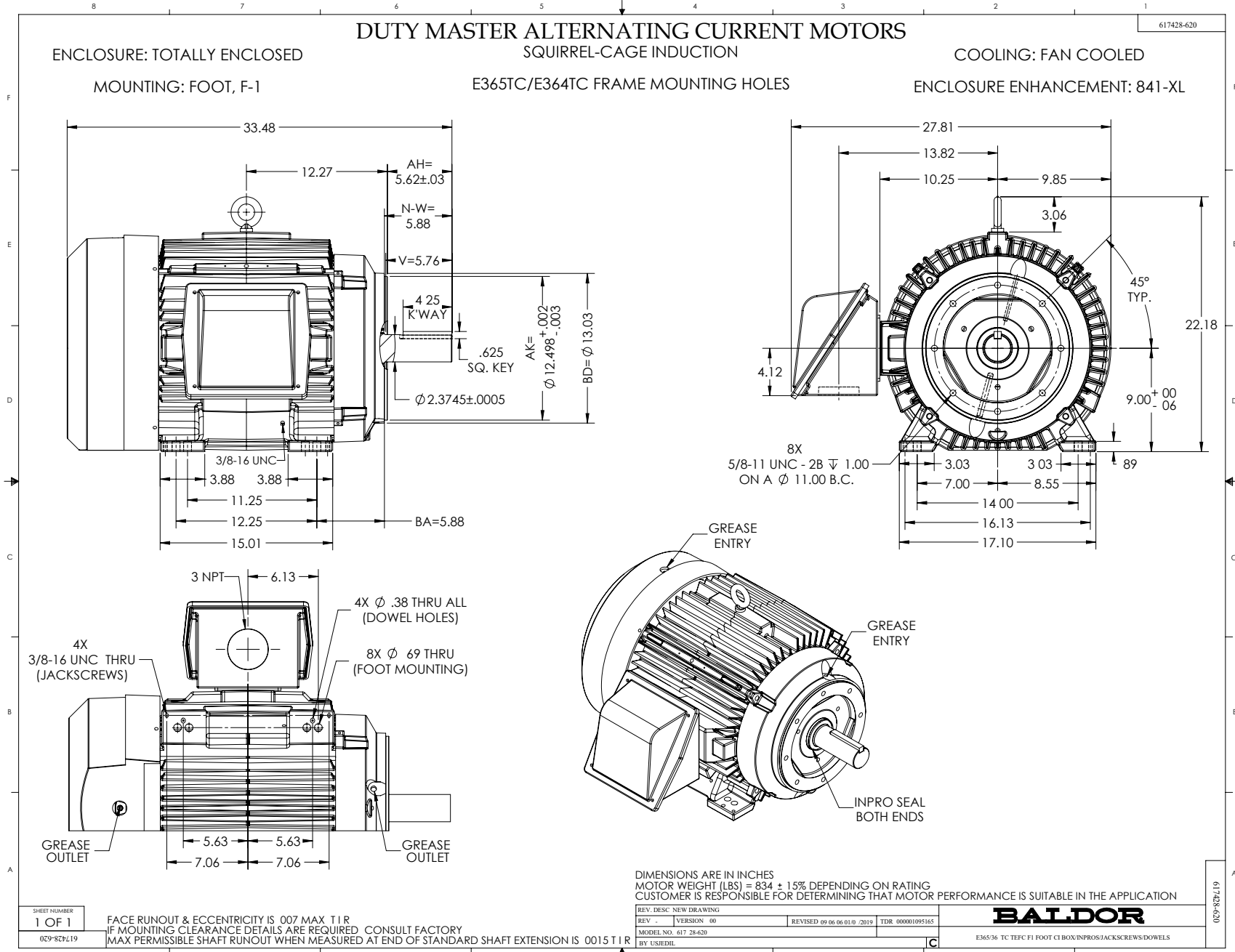


AMPERES SHOWN FOR 460 VOLT CONNECTION, IF OTHER VOLTAGE CONNECTIONS ARE AVAILABLE, THE AMPERES WILL VARY INVERSELY WITH THE RATED VOLTAGE.

	DRAWN BY: W.L. SMITH	AC MOTOR PERFORMANCE DATA	A36WG0043-R001
	CHECKED BY: J.HARRISON APPROVED BY: W.L. SMITH DATE: 12/07/05		

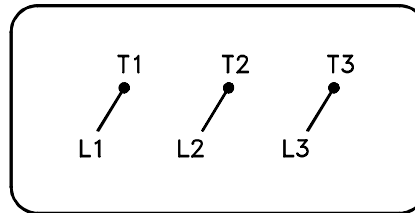
USERCHR1

Printed on 03/29/2018 9:00 AM



416820-036

A-C MOTOR
 CONNECTION DIAGRAM
 STANDARD 3 LEAD CONNECTED



(N.P. 1575-BA)

416820-036

REV. DESC: LOADED TO BUS, C/R 335225		
REV. LTR: -	VERSION: 00	TDR: 000000538207
FILE: \MGA\00000\682	REVISED: 11:54:06 04/30/2010	
MTL: -	BY: RAGRA	

BALDOR

CONN DIAG - STANDARD 3 LEAD

SH 1 of 1

Marketing maintained PDF of MN408:

[MN408?ManNumber=MN408](#)

Marketing maintained PDF of MN416:

[MN416?ManNumber=MN416](#)